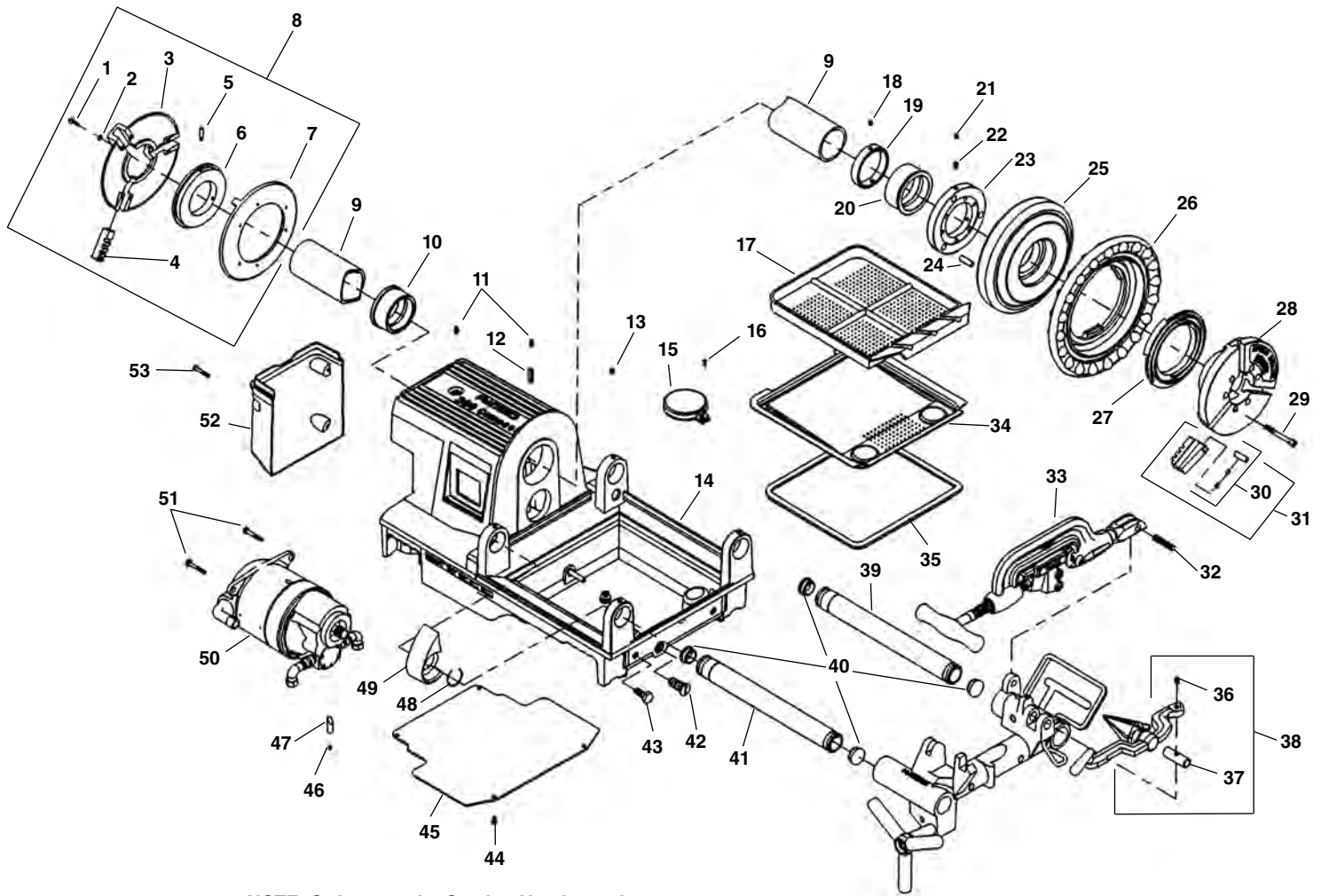


Main Drive Components



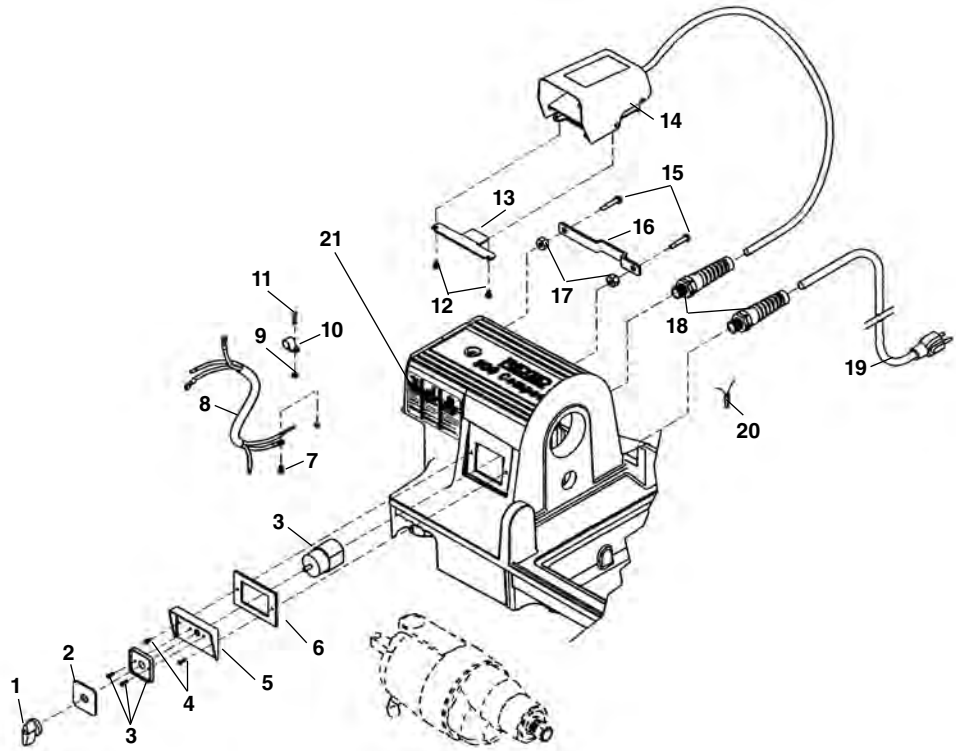
**NOTE: Order parts by Catalog Number only.
DO NOT order by Reference Number.**

Ref. No.	Catalog No.	Description	Ref. No.	Catalog No.	Description
1	46790	Screw 12 - 24 x 3/4" (6)	28	43525	Chuck Cap
2	40270	Lock Washer (6)	29	45295	Screw 5/16" x 2 3/4" (6)
3	43735	Rear Centering Head	30	44715	Jaw Insert Set (3)
4	46500	Rear Centering Head (Europe)	30	97365	Jaw Insert Set f/Coated Pipe (3)
5	45260	Rear Jaw	31	44090	Chuck Jaw Set
6	44095	Step Pin	32	45520	Hinge Pin
7	43740	Scroll	33	42370	360 Cutter Complete
8	19356	Back Plate	34	54052	Oil Pan Liner
9	44165	Back Plate (Europe)	35	75632	Oil Pan Liner Gasket
10	44100	Rear Centering Assembly	36	36262	Shoulder Screw
11	45335	Drive Shaft	37	36267	Pivot Pin
12	46860	Rear Bearing	38	34612	344 Reamer
13	45310	Grease Fitting (2)	39	54112	Rear Rail
14	45310	Pin Split Roll	40	35162	Rail Plug (4)
15	60025	Set Screw 5/16" - 18 (4)	41	54117	Front Rail
16	54522	Base Export	42	54302	Drain Plug
17	76342	Base N.A.	43	54042	M10-1.5 Hex Hd. Cap Screw
18	58467	Filter Screen Assembly	44	87730	Screw 1/4" x 3/8" (4)
19	45420	Screw 10 - 24 x 3/8"	45	61937	Bottom Cover
20	54047	Chip Tray	46	77905	Set Screw 5/16" x 1/4"
21	33785	Set Screw 5/16" x 24 x 5/16" (3)	47	54037	Motor Wedge
22	45345	Pin Plug	48	87620	Retaining Ring
23	54502	Front Bearing	49	54507	Carriage Stop
24	45300	Set Screw 5/16" x 24 x 1/4" (3)	50	54797	Model 2192, 115V
25	45265	Set Screw 5/16" x 24 x 1/2" (3)	50	54802	Model 2292R, 230V
26	30027	Drive Ring	50	74182	Model 2199R, 115V, 52 RPM
27	30022	Drive Pin (3)	51	85915	Motor Mounting Bolt (2)
	30017	Ring Gear	52	61932	Motor Cover
	89150	Hand Wheel	53	54532	Motor Cover Screw (4)
	43540	Chuck Scroll			

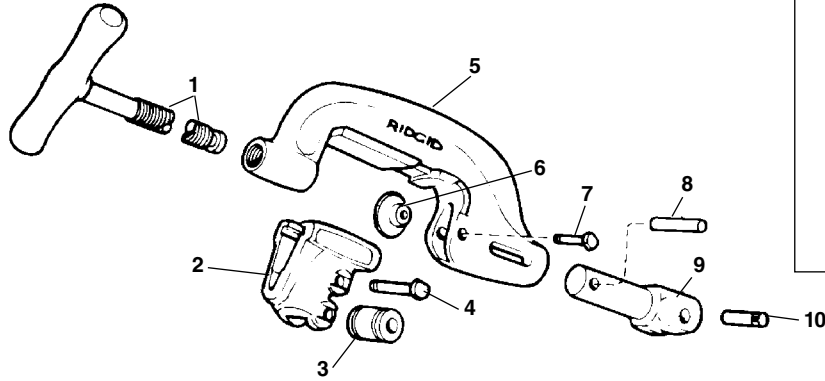
120V 60Hz Electrical

**NOTE: Order parts by Catalog Number only.
DO NOT order by Reference Number.**

Ref. No.	Catalog No.	Description
1	61397	Switch Knob
2	61967	Switch Face Plate
3	54157	Switch Assembly
4	54162	Screw (2)
5	61917	Switch Plate
6	54172	Gasket
7	45420	Screw #10 - 24 x 3/8"
8	30953	Connecting Cord
9	44695	Hex Nut #10 - 24
10	61912	Cord Retainer
11	92455	Screw #10 - 24 x 3/4"
12	54357	Screw 5/16" - 18 (2)
13	58602	Foot Switch Hook
14	36642	B-294 Foot Switch
15	54137	Screw (2)
16	58267	Foot Switch Hanger Bracket
17	96730	Hex Nut 5/16" - 18
18	72107	Strain Relief
19	46740	Power Cord
20	44635	End Splice Connector
21	78367	Warning Plate



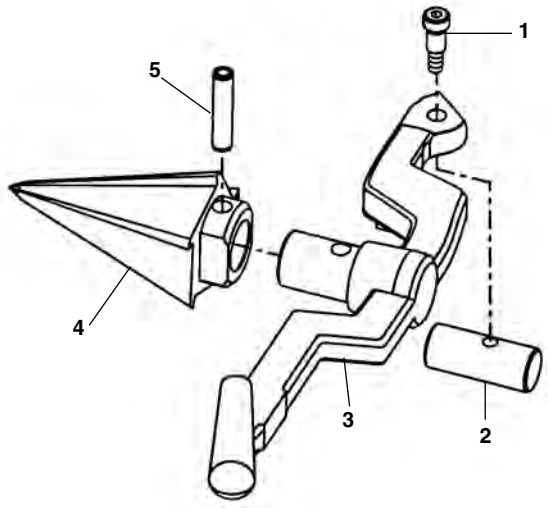
No. 360 Cutter



Ref. No.	Catalog No.	Description
—	42370	360 Cutter Complete
1	43625	D-1024-X Screw Handle
2	33400	C-878-X Roll Housing Assembly
3	34305	E-1751 Roll (2)
4	34310	E-1752 Roll Pin (2)
5	43595	C-877 Cutter Frame
6	33100	F-514 Cutter Wheel Thin
	33105	F-3 Cutter Wheel H.D.
	44185	E-1032 Cutter Wheel Std.
7	34780	F-9 Wheel Pin
8	45435	E-3549 Retaining Pin
9	45505	E-3759 Support Arm
10	45520	E-3819 Pin

No. 344 Reamer

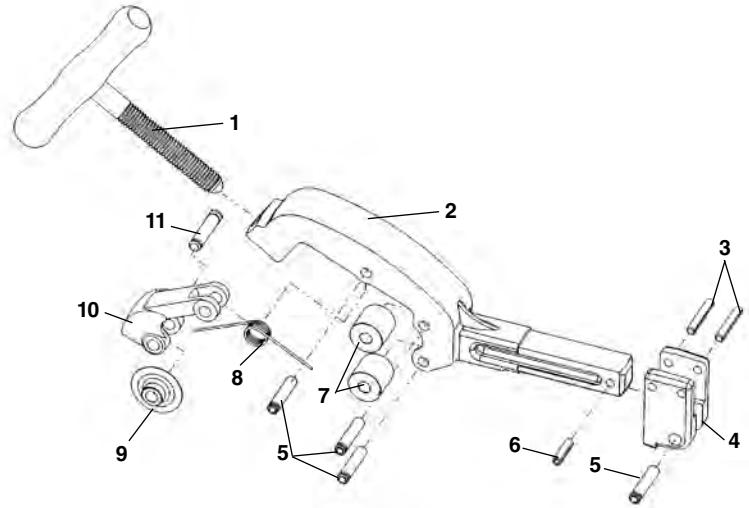
Ref. No.	Catalog No.	Description
—	34612	344 Reamer Complete
1	36262	Shoulder Screw
2	36267	Pivot Pin
3	36272	Reamer Arm
4	36277	Reamer Cone
5	35355	Split Roll Pin



No. 732 Pipe Cutter

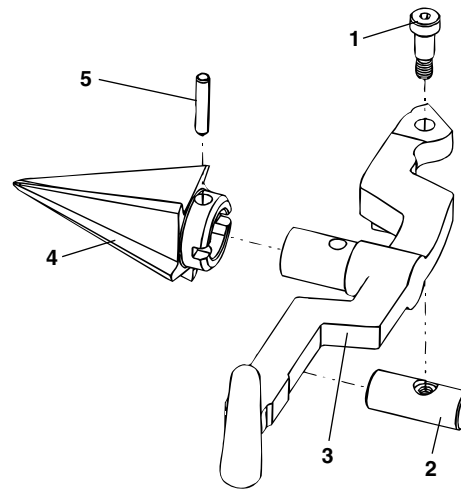
NOTE: Order parts by Catalog Number only.
DO NOT order by Reference Number.

Ref. No.	Catalog No.	Description
—	58657	732 Cutter Assembly
1	58607	Handle Assembly
2	58612	Cutter Frame
3	54300	Roll Pin 1/4" x 1 1/2" (2)
4	58627	Support Arm Bracket
5	46662	Roller Pin (4)
6	58090	Roll Pin 1/4" x 1"
7	46960	Roll (2)
8	58617	Torsion Spring
9	44185	Cutter Wheel
10	58622	Wheel Housing
11	34780	Wheel Pin



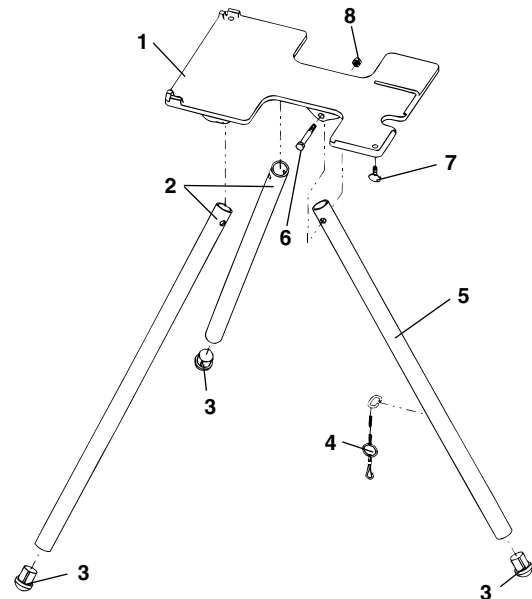
No. 344 Reamer

Ref. No.	Catalog No.	Description
—	34612	344 Reamer Complete
1	36262	Shoulder Screw
2	36267	Pivot Pin
3	36272	Reamer Arm
4	36277	Reamer Cone (R.H.)
	46660	Reamer Cone (L.H. & R.H.)
5	35355	Split Roll Pin



No. 1203 Stand

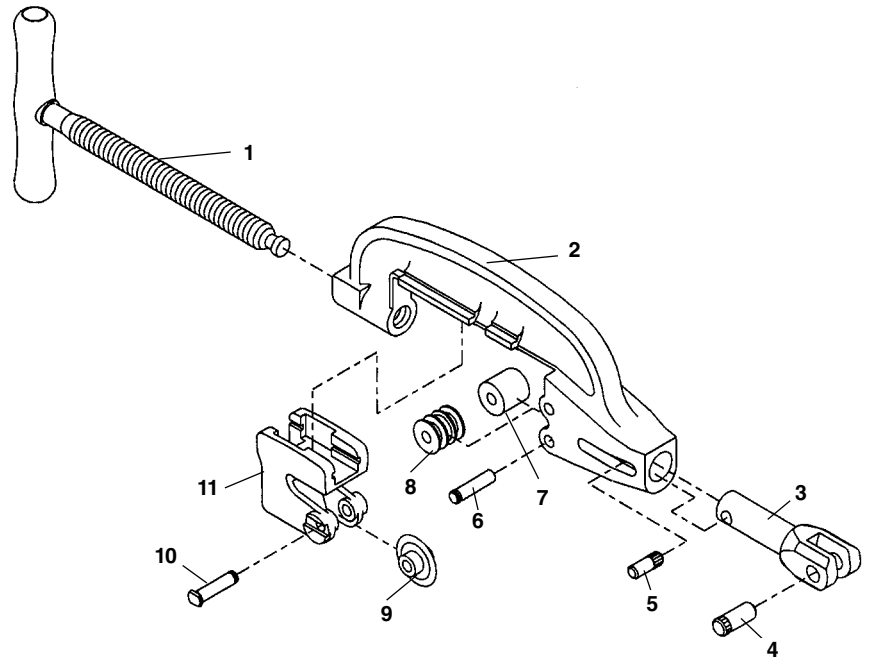
Ref. No.	Catalog No.	Description
—	61187	1203 Stand
1	61182	Base
2	58637	Front Leg (2)
3	61470	Leg Rest (3)
4	40945	Chain Assembly
5	58412	Rear Leg
6	80045	Screw 3/8" - 16 x 3 1/4" (3)
7	46220	Thumb Screw (3)
8	79985	Lock Nut 3/8" - 16 (3)



No. 364 Cutter

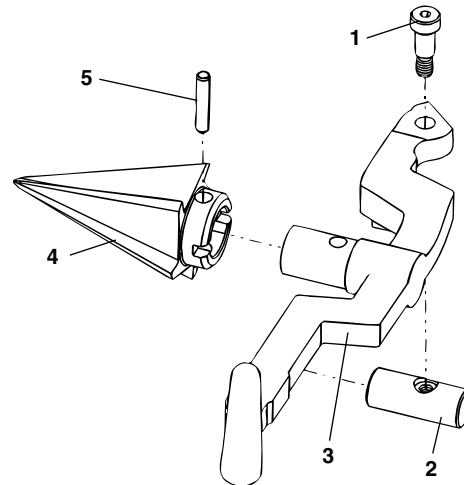
**NOTE: Order parts by Catalog Number only.
DO NOT order by Reference Number.**

Ref. No.	Catalog No.	Description
—	34617	364 Cutter Complete
1	36287	Feed Screw Handle
2	36292	Cutter Frame
3	45505	Support Arm
4	45520	Hinge Pin
5	35317	Retaining Pin
6	46662	Roll Pin (2)
7	46960	Roll (Steel) (2)
8	43682	Roll Pl. Coated Pipe (2)
9	44185	Cutter Wheel E-1032
10	34780	Wheel Pin
11	36282	Wheel Housing



No. 344 Reamer

Ref. No.	Catalog No.	Description
—	34612	344 Reamer Complete
1	36262	Shoulder Screw
2	36267	Pivot Pin
3	36272	Reamer Arm
4	36277	Reamer Cone (R.H.)
	46660	Reamer Cone (L.H. & R.H.)
5	35355	Split Roll Pin



No. 839 Nipple Chuck

Ref. No.	Catalog No.	Description
—	35867	No. 839 Adapter Kit
1	54307	Drive Screw (6)
2	47502	Roll Pin
3	47507	Tube Assembly
4	47512	Pin, 3/4" x 2 3/4"

